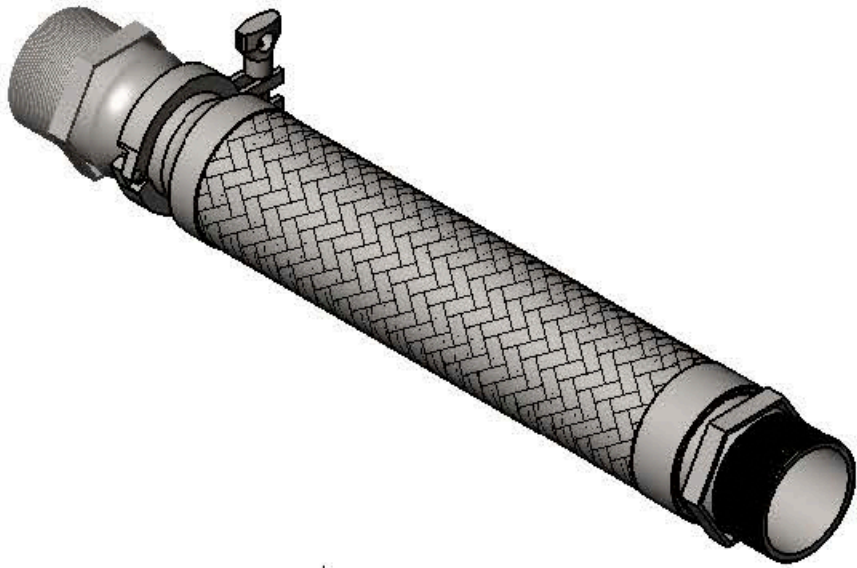
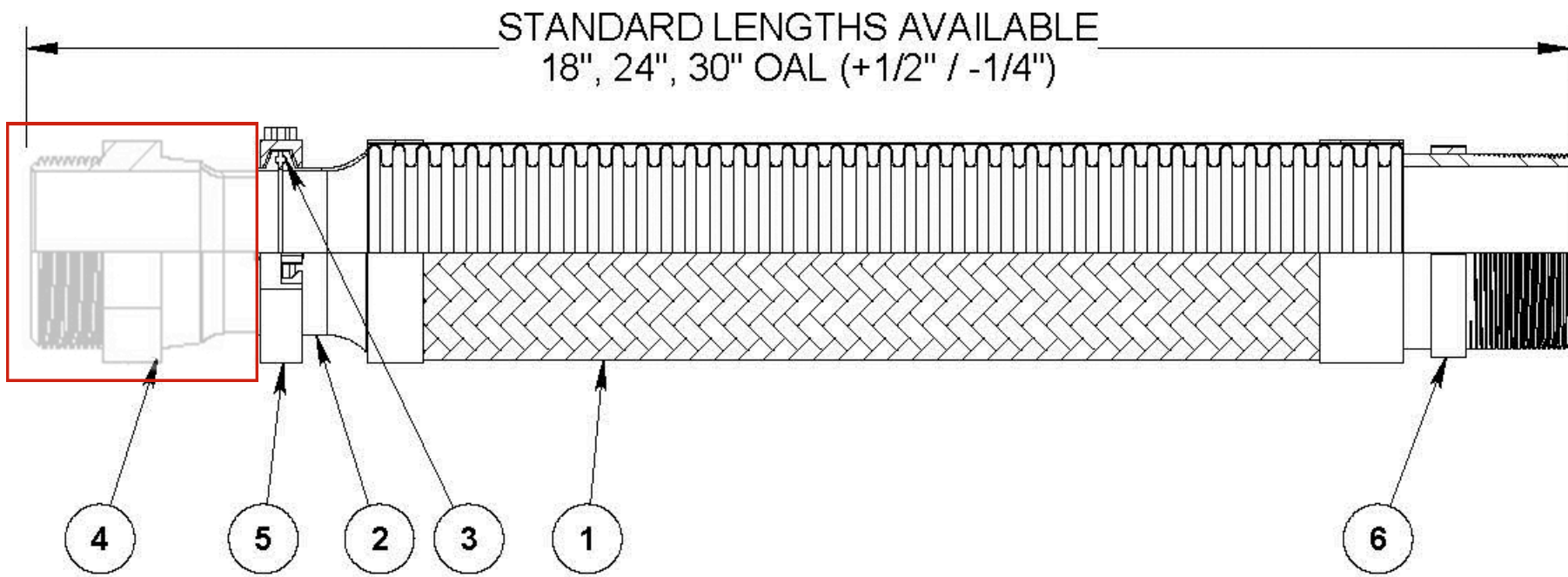


| REVISIONS |             |           |          |
|-----------|-------------|-----------|----------|
| REV.      | DESCRIPTION | DATE      | APPROVED |
| -         |             | 2/18/2014 |          |



Hex male adapter shown represents only one of the various end fittings available. Please refer to catalog for other options.



NOTE: UL & cULus APPROVED CONNECTORS

--- COMPONENTS LIST ---

| ITEM # | QTY. | DESCRIPTION                 | MATERIAL             |
|--------|------|-----------------------------|----------------------|
| 1      | 1    | 3" AF4750                   | 300 Series Stainless |
| 2      | 1    | 3" Sanitary Flange          | 304                  |
| 3      | 1    | 3" QuickClamp Seal          | Viton                |
| 4      | 1    | 3" Hex Male Adapter         | 304                  |
| 5      | 1    | 3" Quick Clamp              | 304                  |
| 6      | 1    | 3" Hex Male with Wrench Pad | Carbon Steel         |



**HOSE MASTER**

1233 East 222nd Street • Cleveland, Ohio 44117  
 (800) 221-2319 • Fax: (216) 481-7557 • www.hosemaster.com  
 Cleveland • Houston • Atlanta • Reno

**ISO 9001**  
 Registered Quality System



DESCRIPTION:

**3" FIRESHIELD QUICKCLAMP ASSEMBLY**

DRAWING #

**FSQM0300**

DATE: 7/16/2018

PROJECTION:



REV.

-

SHEET  
 1 OF 1